

1 x 12" front horn bass/mid enclosure

Applications

This design is for use in the next frequency band above bass bins. It is front horn loaded to provide long throw projection up to 5 KHz. Low frequency crossover point should be in the region of 180 Hz to 500 Hz.

Cabinet Type

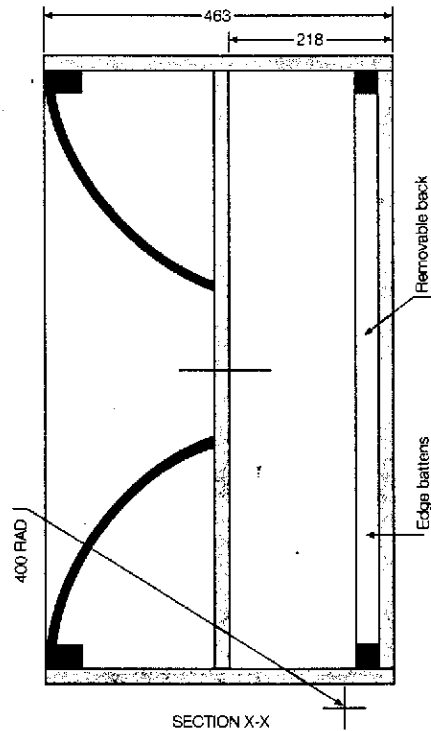
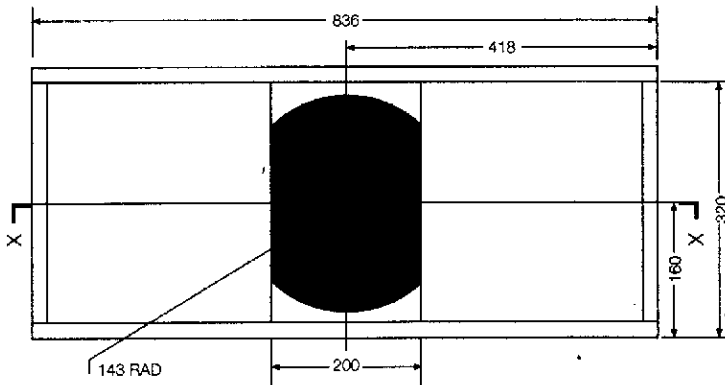
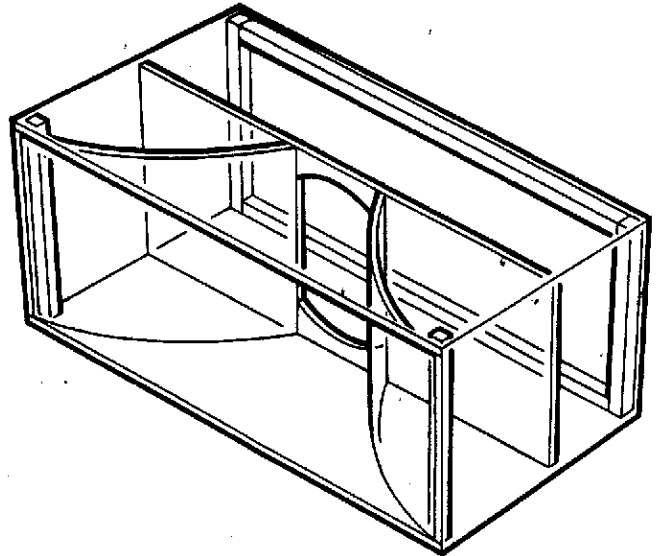
Compact front horn loaded

Effective Volume

138 litres (4.9 cubic feet)

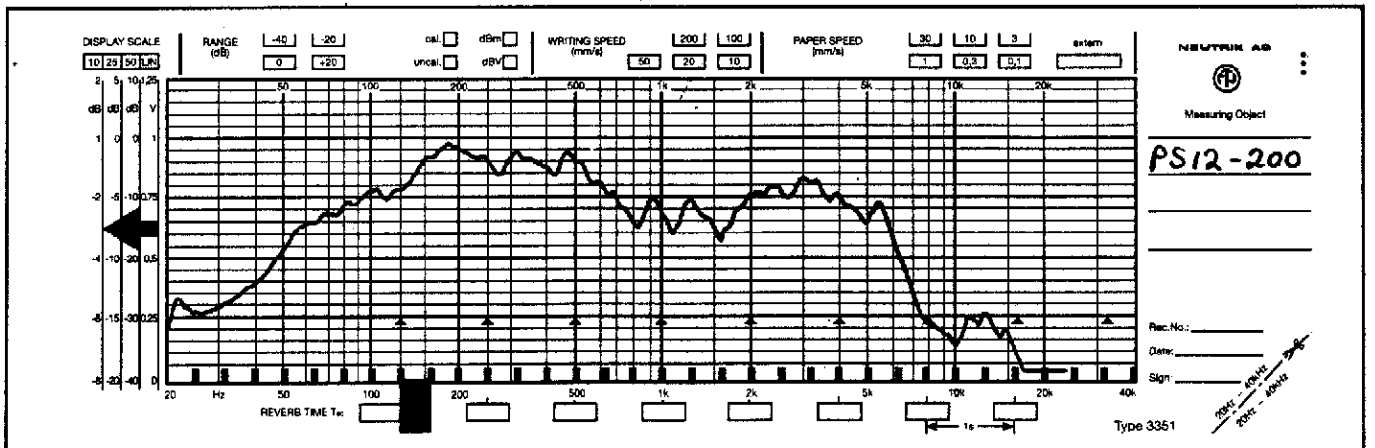
Loudspeakers

- ME 12/100 cone bass drivers
- ME 12/200 cone bass drivers
- ME 12/300 cone bass drivers
- PS 12/200 cone bass drivers
- PS 12/300 cone bass drivers



Sheet Material Requirements:

1,21 x 1,80 m (4.0' x 6.0')



frequency response curve